

TOSHIBA Bipolar Linear Integrated Circuit Silicon Monolithic

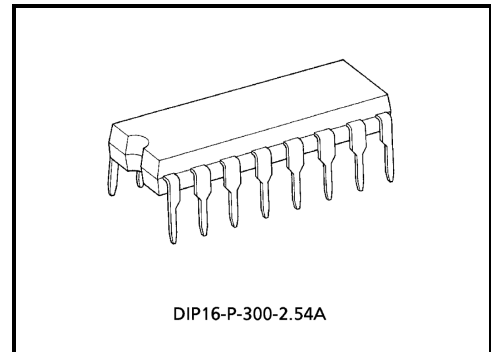
TA8164P

3V Monaural Radio IC

The TA8164P is AM / FM tuner (FM F / E + AM / FM IF) IC, which is designed for AM / FM monaural radio. Combining with the TA7368P (mono PW IC), a suitable monaural AM / FM radio system is able to be constituted.

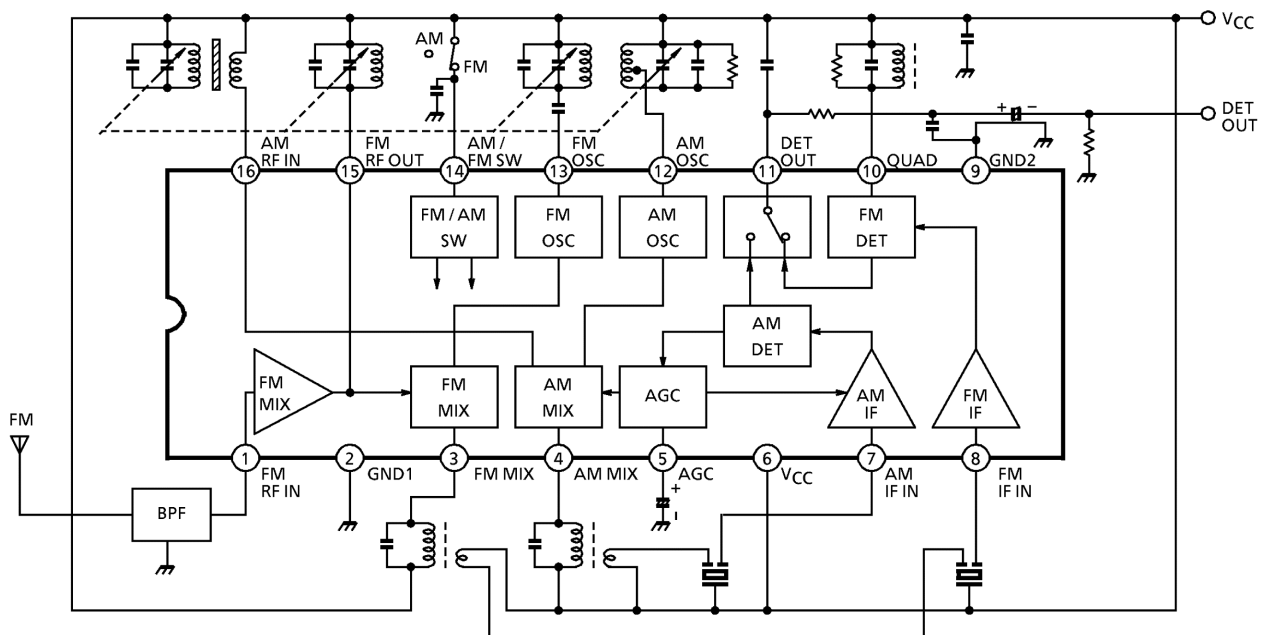
Features

- Common output for AM / FM
- Switch over between AM / FM mode is possible with one-wake switch.
- Operating supply voltage range
: $V_{CC} (opr) = 1.8 \sim 7V$ ($T_a = 25^\circ C$)



Weight: 1.00g (typ.)

Block Diagram



Explanation Of Terminal

Pin No.	Symbol	Internal Circuit	DC Voltage (V) (at no signal)	
			AM	FM
1	FM-RF in		0	0.7
2	GND1 (GND for AM RF, OSC, MIX, FM RF, OSC, MIX)	—	0	0
3	FM MIX		3.0	3.0
4	AM MIX		3.0	3.0
5	AGC (AM AGC)		0	0
6	VCC	—	3.0	3.0
7	AM IF in		3.0	3.0
8	FM IF in		3.0	3.0

Pin No.	Symbol	Internal Circuit	DC Voltage (V) (at no signal)	
			AM	FM
9	GND2 (GND for AM IF and FM IF)	—	0	0
10	QUAD (FM QUAD, Detector)		3.0	3.0
11	DET out	<p> (a) LOW→FM, HIGH→AM (b) LOW→AM, HIGH→FM </p>	1.4	1.4
12	AM OSC		3.0	3.0
13	FM OSC		3.0	3.0
14	AM / FM SW Pin (14) VCC →FM Pin (14) open →AM		—	3.0
15	FM RF out	Cf. Pin (1)	3.0	3.0
16	AM RF in		3.0	3.0

Maximum Ratings (Ta = 25°C)

Characteristic	Symbol	Rating	Unit
Supply voltage	V _{CC}	8	V
Power dissipation	P _D (Note)	750	mW
Operating temperature	T _{opr}	-25~75	°C
Storage temperature	T _{stg}	-55~150	°C

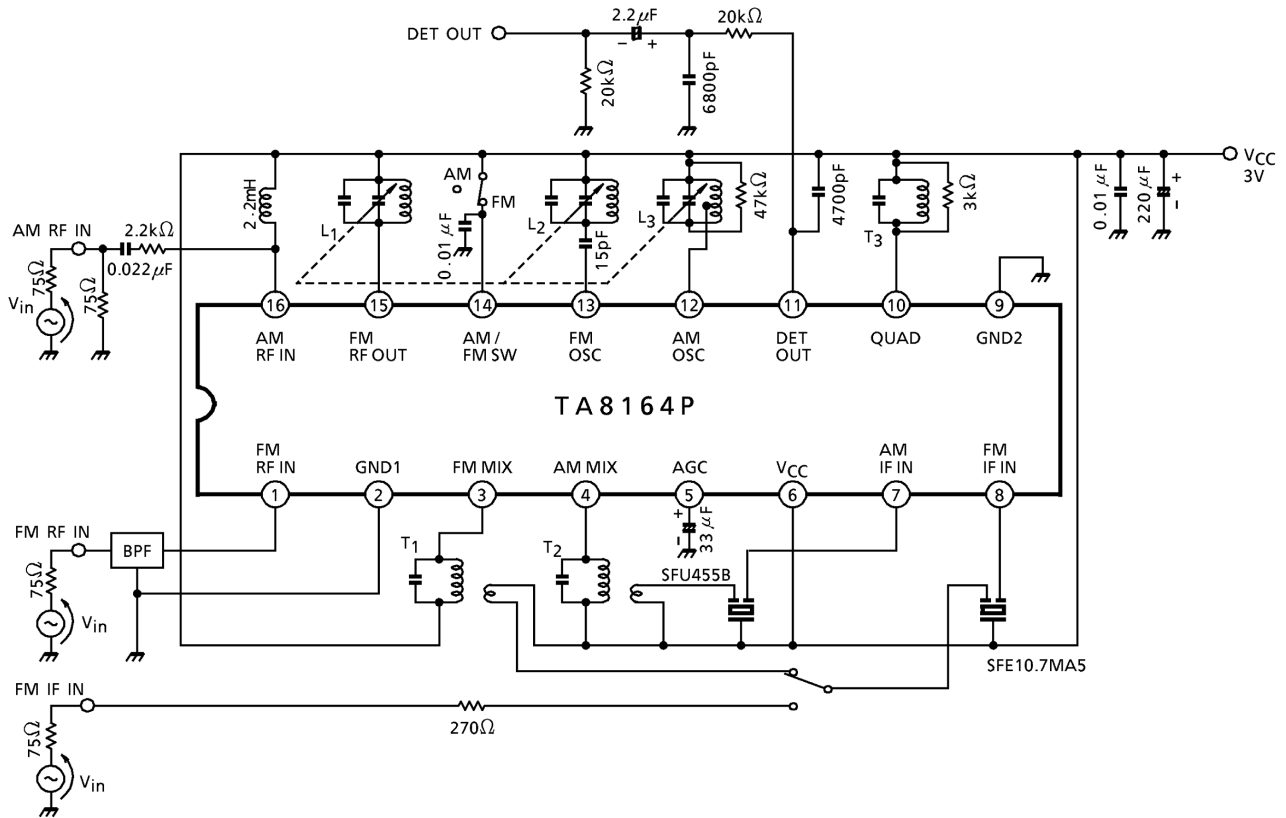
(Note) Derated above Ta = 25°C in the proportion of 6mW / °C.

Electrical Characteristics

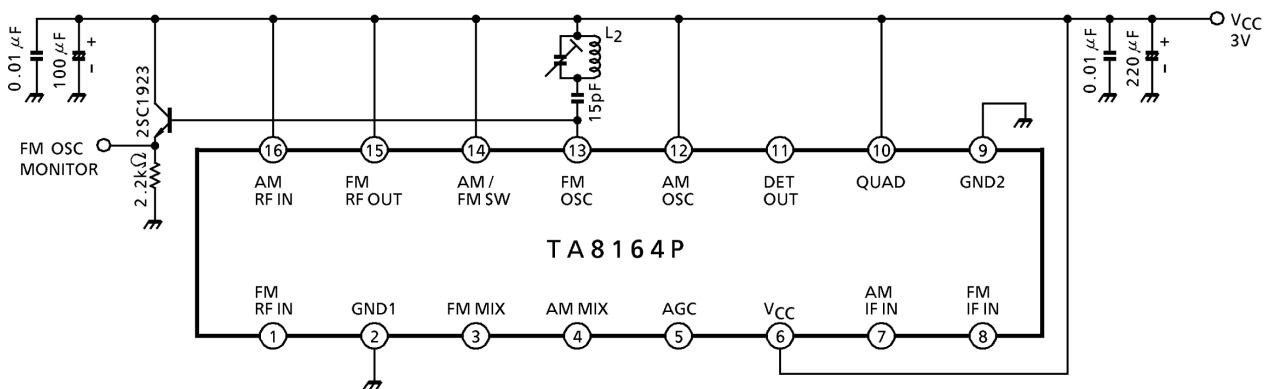
Unless Otherwise Specified, Ta = 25°C, V_{CC} = 3V, F / E: f = 98MHz, f_m = 1kHz
 FM IF: f = 10.7MHz, Δf = ±22.5kHz, f_m = 1kHz
 AM: f = 1MHz, MOD = 30%, f_m = 1kHz

Characteristic		Symbol	Test Cir-cuit	Test Condition	Min.	Typ.	Max.	Unit
Supply current		I _{CC} (FM)	1	FM mode V _{in} = 0	—	10.5	15.5	mA
		I _{CC} (AM)	1	AM mode V _{in} = 0	—	4.5	7.0	
FM F / E	Input limiting voltage	V _{in} (lim)	1	-3dB limiting point	—	12	—	dBμV EMF
	Quiescent sensitivity	Q _S	1	S / N = 30dB	—	12	—	dBμV EMF
	Local OSC voltage	V _{OSC}	2	f _{OSC} = 108MHz	150	205	280	mV _{rms}
	Local OSC stop supply voltage	V _{stop} (FM)	2	V _{in} = 0	—	1.2	—	V
FM IF	Input limiting voltage	V _{in} (lim) IF	1	-3dB limiting point	44	50	56	dBμV EMF
	Recovered output voltage	V _{OD}	1	V _{in} = 80dBμV EMF	20	35	55	mV _{rms}
	Signal to noise ratio	S / N	1	V _{in} = 80dBμV EMF	—	62	—	dB
	Total harmonic distortion	THD	1	V _{in} = 80dBμV EMF	—	0.4	—	%
	AM rejection ratio	AMR	1	V _{in} = 80dBμV EMF	—	33	—	dB
AM	Gain	G _V	1	V _{in} = 30dBμV EMF	15	30	45	mV _{rms}
	Recovered output voltage	V _{OD}	1	V _{in} = 60dBμV EMF	20	35	55	mV _{rms}
	Signal to noise ratio	S / N	1	V _{in} = 60dBμV EMF	—	43	—	dB
	Total harmonic distortion	THD	1	V _{in} = 60dBμV EMF	—	1.0	—	%
	Local OSC stop supply voltage	V _{stop} (AM)	1	V _{in} = 0	—	1.6	—	V

Test Circuit 1



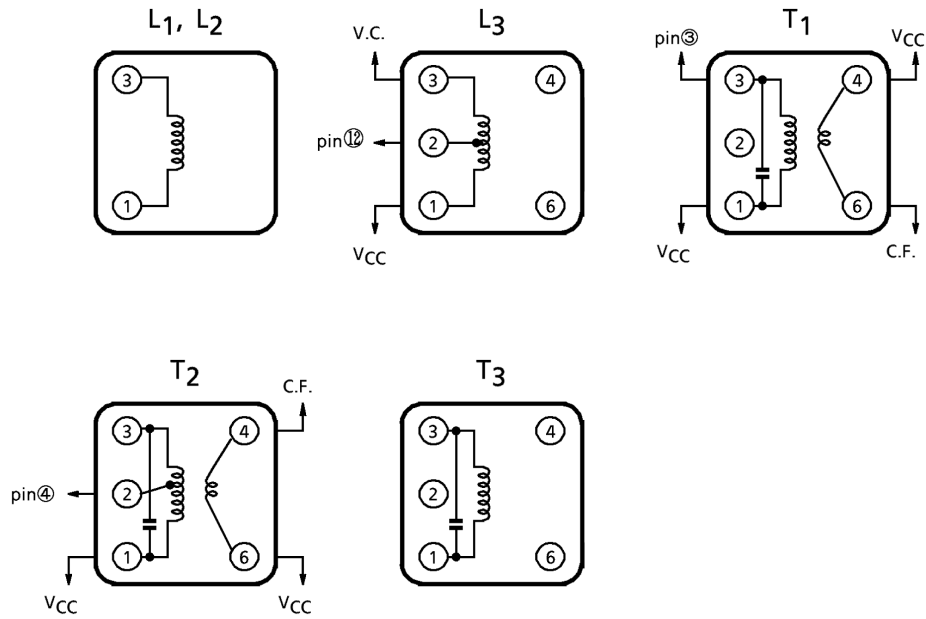
Test Circuit 2

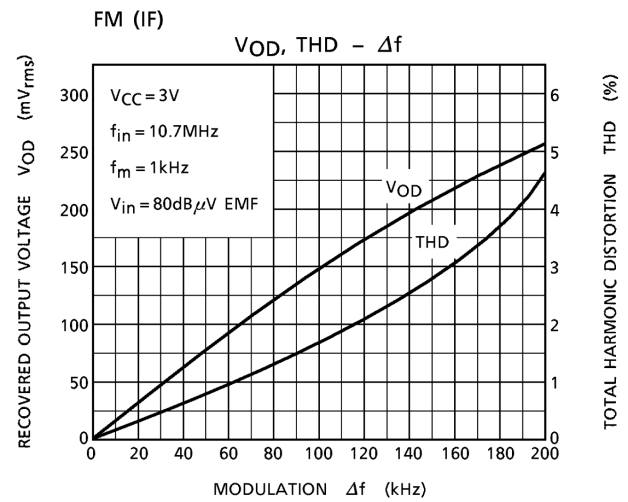
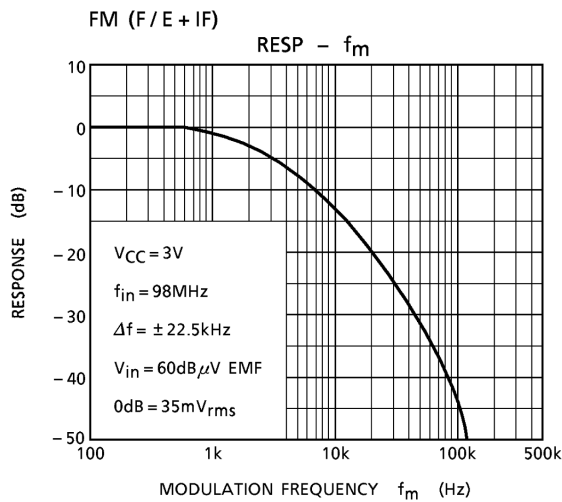
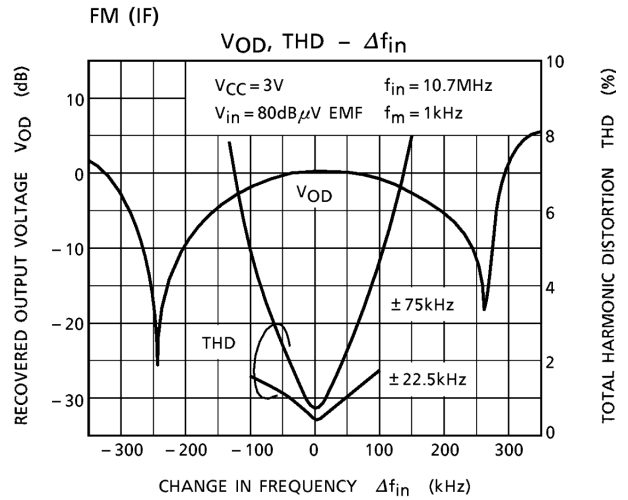
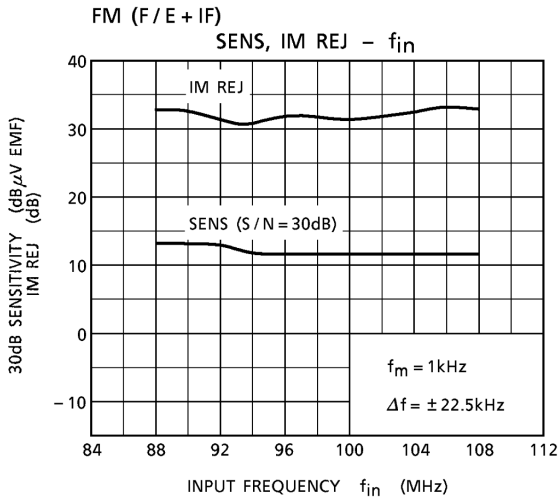
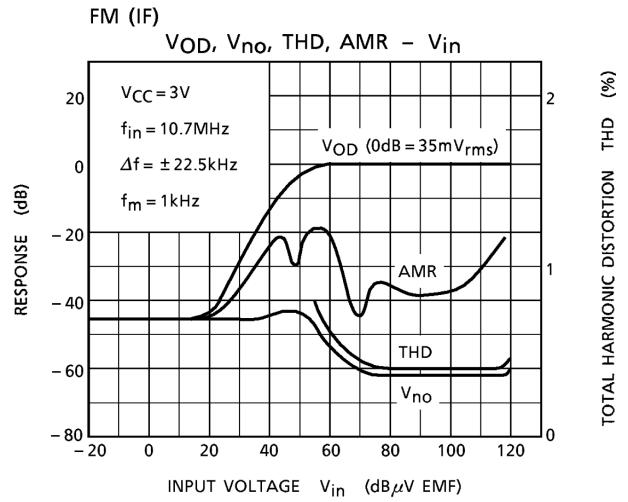
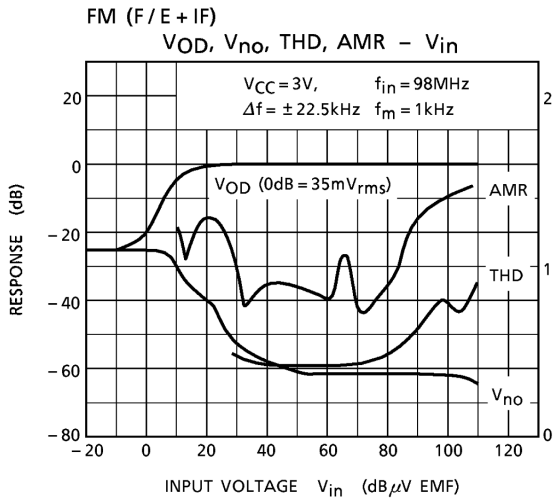


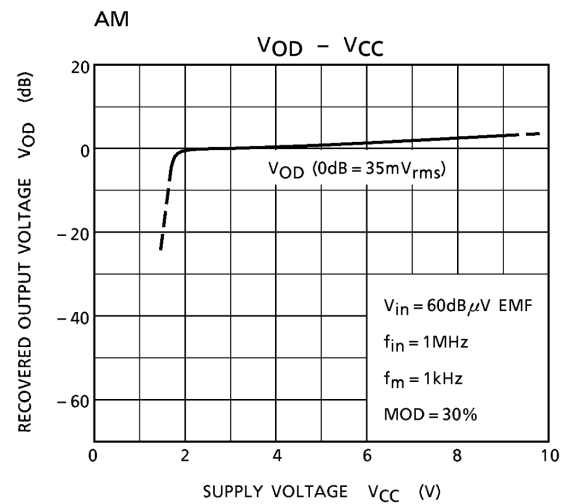
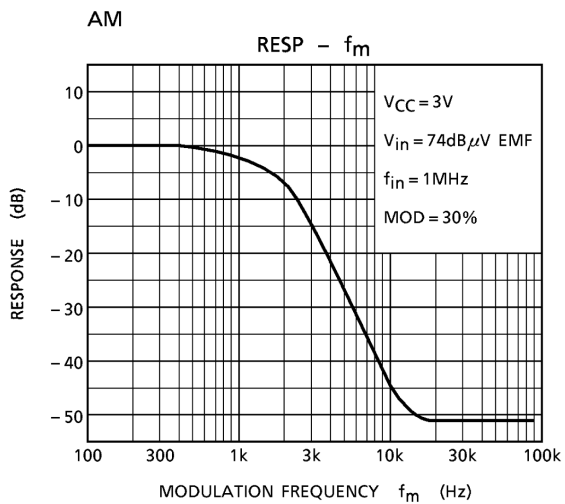
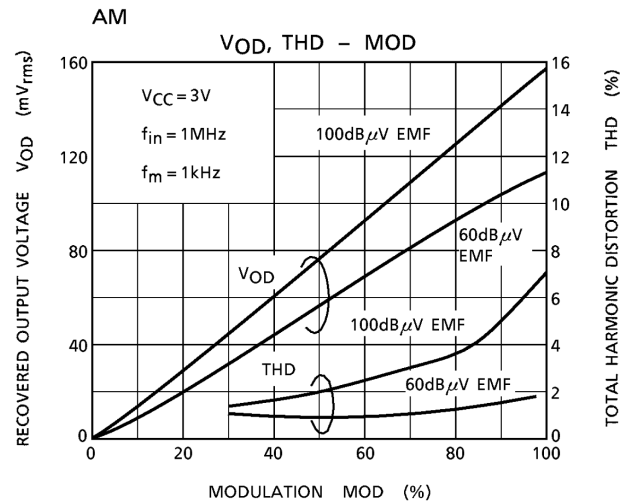
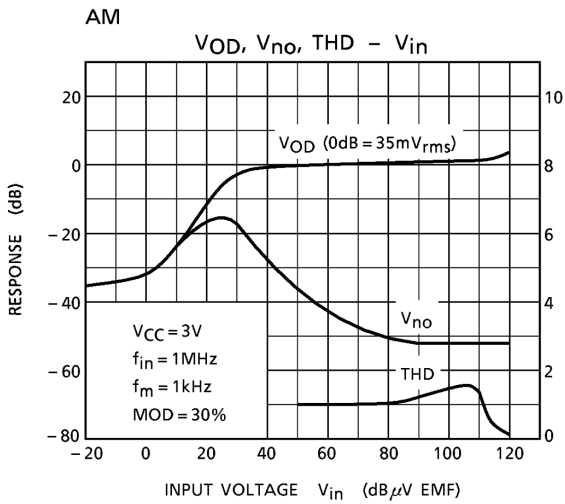
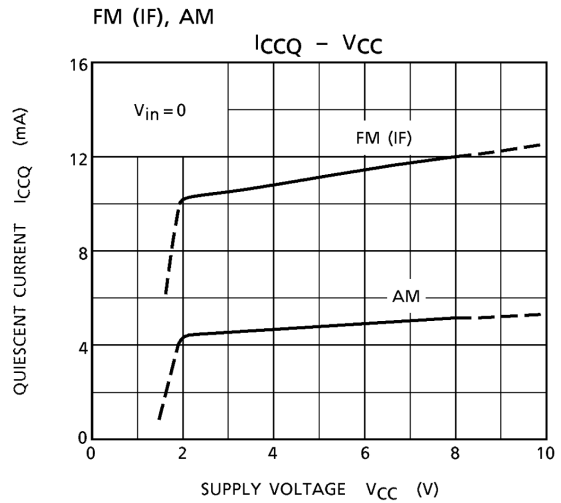
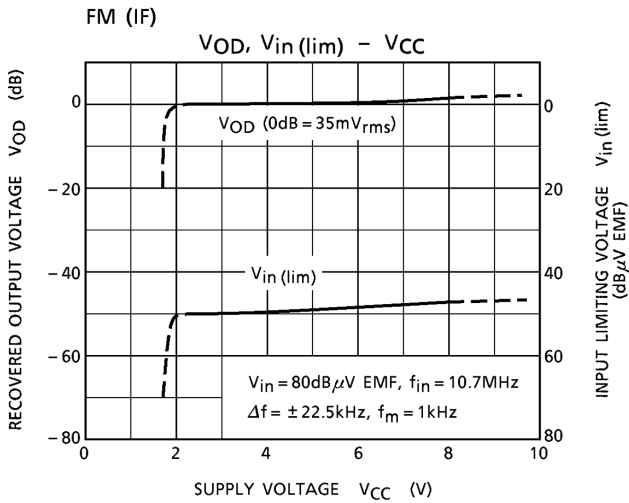
Coil Data

Coil No.	f (Hz)	L (μH)	C ₀ (pF)	Q ₀	Turns					Wire (mmφ)	Ref.
					1-2	2-3	1-3	1-4	4-6		
L ₁ FM RF	100M	—	—	100	—	—	—	2 $\frac{1}{4}$	—	0.5UEW	(S) 0258-000-021
L ₂ FM OSC	100M	—	—	100	—	—	1 $\frac{3}{4}$	—	—	0.5UEW	(S) 0258-000-020
L ₃ AM OSC	796k	268	—	125	14	86	—	—	—	0.06UEW	(S) 2157-2239-213A
T ₁ FM MIX	10.7M	—	75	100	—	—	13	—	2	0.1UEW	(S) 2153-414-041A
T ₂ AM MIX	455k	—	330	100	65	45	110	—	6	0.08UEW	(S) 4140-1289-311
T ₃ FM DET	10.7M	—	100	95	—	—	12	—	—	0.12UEW	(S) 2153-4095-189

(S): Sumida electric co., ltd.



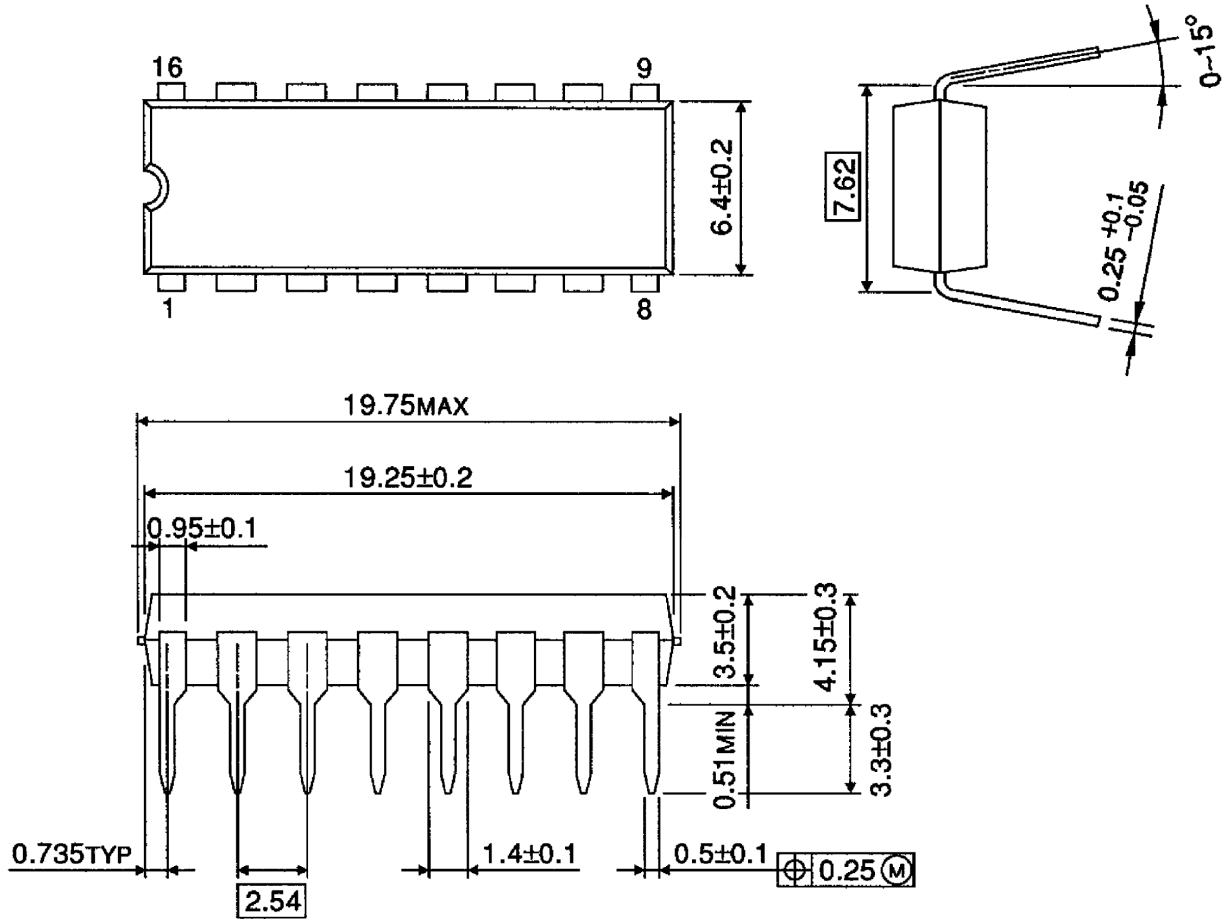




Package Dimensions

DIP16-P-300-2.54A

Unit : mm



Weight: 1.0g (typ.)

RESTRICTIONS ON PRODUCT USE

000707EBA

- TOSHIBA is continually working to improve the quality and reliability of its products. Nevertheless, semiconductor devices in general can malfunction or fail due to their inherent electrical sensitivity and vulnerability to physical stress. It is the responsibility of the buyer, when utilizing TOSHIBA products, to comply with the standards of safety in making a safe design for the entire system, and to avoid situations in which a malfunction or failure of such TOSHIBA products could cause loss of human life, bodily injury or damage to property.
In developing your designs, please ensure that TOSHIBA products are used within specified operating ranges as set forth in the most recent TOSHIBA products specifications. Also, please keep in mind the precautions and conditions set forth in the "Handling Guide for Semiconductor Devices," or "TOSHIBA Semiconductor Reliability Handbook" etc..
- The TOSHIBA products listed in this document are intended for usage in general electronics applications (computer, personal equipment, office equipment, measuring equipment, industrial robotics, domestic appliances, etc.). These TOSHIBA products are neither intended nor warranted for usage in equipment that requires extraordinarily high quality and/or reliability or a malfunction or failure of which may cause loss of human life or bodily injury ("Unintended Usage"). Unintended Usage include atomic energy control instruments, airplane or spaceship instruments, transportation instruments, traffic signal instruments, combustion control instruments, medical instruments, all types of safety devices, etc.. Unintended Usage of TOSHIBA products listed in this document shall be made at the customer's own risk.
- The products described in this document are subject to the foreign exchange and foreign trade laws.
- The information contained herein is presented only as a guide for the applications of our products. No responsibility is assumed by TOSHIBA CORPORATION for any infringements of intellectual property or other rights of the third parties which may result from its use. No license is granted by implication or otherwise under any intellectual property or other rights of TOSHIBA CORPORATION or others.
- The information contained herein is subject to change without notice.

This datasheet has been download from:

www.datasheetcatalog.com

Datasheets for electronics components.